



D4801 Electric Retro Popcorn Maker Operating Manual

Thank you for choosing the Davis & Waddell taste Electric Retro Popcorn Maker. To ensure proper operation and to maintain the lifespan of your appliance, please read these instructions carefully before use.

1. Key Features

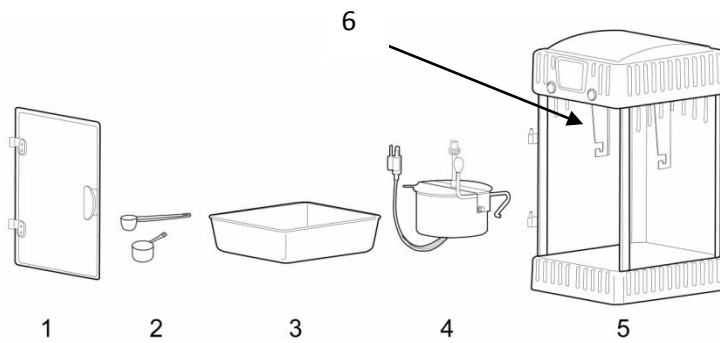
- Why go to the movies when you can make the popcorn at home. This retro popcorn maker not only looks the part but makes delicious kettle popcorn at the flick of a switch.
- Perfect for entertaining, the internal light makes it feel even more authentic.
- 12 month warranty.

2. Important Safety Instructions

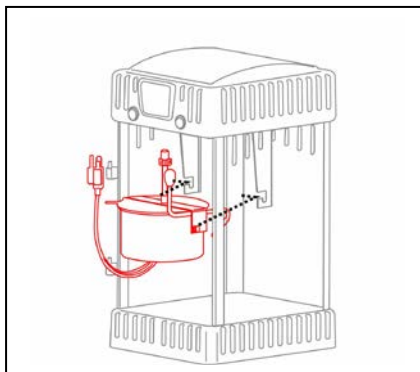
When using electric appliances, especially when children are present basic safety precautions should always be followed, including the following:

- Read all the instructions before operating this appliance.
- Children should be supervised to ensure they do not play with the appliance.
- Do not immerse in water or any other liquid.
- Unplug the appliance when not in use or being cleaned.
- Pull out from the power outlet by grasping the plug, never by the cord.
- Always check the integrity of the cord before use, if the cord or plug is damaged do not use.
- This appliance should be kept away from hot gas, heated oven, electric burner or any hot surface.
- The appliance should always be used on a hard stable surface, such as table or bench top.
- Do not pop the kernels with a dry kettle (without oil).
- To avoid overheating, always add oil and then kernels before operating.
- Kettle surface is hot and should not be touched during popping or just after use.
- Extreme caution must be used when removing/serving popcorn. Always place the unit over a countertop so that residual hot oil or water running out will not cause burns.
- This appliance is intended for household use, not commercial use.
- Store these instructions for future reference.

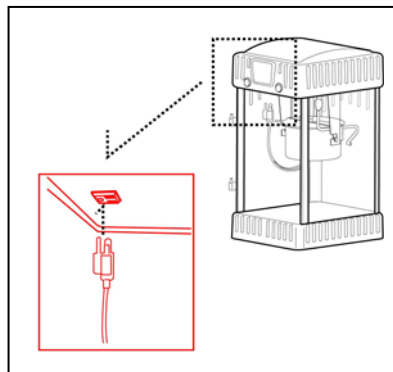
3. Components and Assembly Procedure



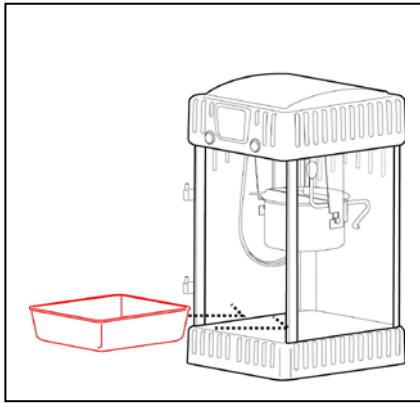
1. Door
2. Measuring cup and spoon
3. Removable popcorn tray
4. Popping kettle
5. Main popcorn unit
6. Hangers



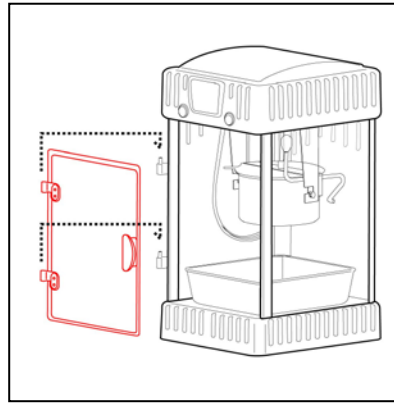
Step 1 – hook the popping kettle onto the hangers inside the main popcorn unit.



Step 2 – insert the popping kettle's power plug into the electrical socket on the inner ceiling of the main popcorn unit.



Step 3 – set the removable tray in the main popcorn unit below the popping kettle.



Step 4 – place the door on the hinges by aligning the pins on the main popcorn unit with the holes of the hinges on the door.

4. Operation Instructions

- Clean the appliance thoroughly before use.
- Place the popcorn maker on a stable surface, fully unwind the electrical cord and plug into the power point.
- Before pouring oil or kernels into the popping kettle, lift the lid using the lid tab. Add 1 teaspoon of oil (vegetable, corn, peanut or coconut oil).
- The main popcorn unit has 2 function switches as follows:



LIGHT – to turn the internal light bulb on



POP – to turn the stirring stick motor and heater on

- Turn both LIGHT and POP switches to the ON position. The light, heater and motor will be on. Let the popping kettle preheat the oil for approximately 2 to 3 minutes.
- Turn the POP switch to the OFF position and add 1/3 cup of corn kernels (1/3 measuring cup included) and close lid to the popping kettle. Close the door.
- Turn POP switch back on, the stirrer will begin to rotate and heater will heat up the oil and the corn. CAUTION: The lid might be hot – it is recommended to use an oven mitt.
- Popcorn starts popping out through the lid after about 2 minutes.
- When the unit is finished popping – you will no longer hear the corn popping – immediately turn the POP switch to the OFF position and pull down the handle bar of the kettle to release any remaining popcorn in the popper. This will also stop the remaining popcorn from cooking any further and avoid possible burning.
- Keep POP switch off if the unit is not in use.
- Repeat steps above for continuous popping.
- Clean and allow the unit to cool before storing.

NOTE: Always allow the popping kettle to cool-down approximately 5-10 minutes between continuous batches of 3. This will avoid over-heating the popping kettle.

5. To Clean the Main Popcorn Unit and Removable Tray

- It is recommended to clean the popping kettle frequently to avoid burning excess oil into the bottom of the inner pot.
- It is recommended to wash and dry the removable popcorn tray after each use.
- Turn the POP control to off and unplug.
- Let the popcorn maker cool and use a wet cloth to clean the main body unit and wipe the removable popcorn tray.

6. Kettle Quick Cleaning Process

- Turn the POP control to off.
- Pour ½ cup to ¾ cup of water (no detergent is necessary) into the inner kettle pot.
- Switch POP control to on to boil the water and let the stirrer turn in order to remove excess oil stuck on the surface. Leave POP control on for approximately 1-2 minutes.
- Turn POP control off and let cool. After cooling, pour out the water and discard. CAUTION: the popping kettle may be hot.
- Never immerse the base unit, electrical cord or plug in water.
- Not dishwasher safe.
- Allow to dry thoroughly before using.

7. Guarantee

If after following these instructions the David & Waddell taste popcorn machine does not work, there may be a manufacturing problem. If this is the case, Albi guarantees this product for 1 year from the date of purchase. The full details of this guarantee can be found at www.albi.com.au or by calling (03) 9474 1300. In the event of such a problem you should return it to the place from which you bought it, WITH PROOF OF PURCHASE, in the form of a valid receipt. Damage through misuse will nullify this guarantee.

For any other advice please contact:

Customer Service
Albi
87 Chifley Drive,
Preston Vic 3072

Phone: 03 9474 1300
Email: albi@albi.com.au