



D8046 Electric Milk Warmer & Frother Operating Manual

Thank you for choosing the Davis & Waddell Leaf & Bean Electric Milk Warmer & Frother. To ensure proper operation and to maintain the lifespan of your appliance, please read these instructions carefully before use.

1. Key Features

- Will froth 115ml of milk when used with the whisking insert
- Will warm 240ml of milk when used with the stirring insert
- From cold to hot milk in 80 seconds
- Will automatically switch off when ready

2. Important Safety Instructions

When using electric appliances, especially when children are present basic safety precautions should always be followed, including the following:

- Read all the instructions before operating this appliance.
- Children should be supervised to ensure they do not play with the appliance, and be sure to keep them away from hot milk and jug.
- Do not immerse in water or any other liquid
- Unplug the appliance when not in use or being cleaned.
- Pull out from the power outlet by grasping the plug, never by the cord.
- Keep away from moving parts
- Always check the integrity of the cord before use, if the cord or plug is damaged do not use.
- This appliance should be kept away from hot gas, heated oven, electric burner or any hot surface
- The appliance should always be used on a hard stable surface, such as table or benchtop.
- Take care when the appliance is in use or has just been used as it becomes hot and may cause burns or scalding, always use the handle.
- Do not operate without milk in the jug
- By exceeding the filling capacity the jug may overflow
- This appliance is intended for household use, not commercial use.
- Store these instructions for future reference.

3. Know Your Frother

1. Transparent lid



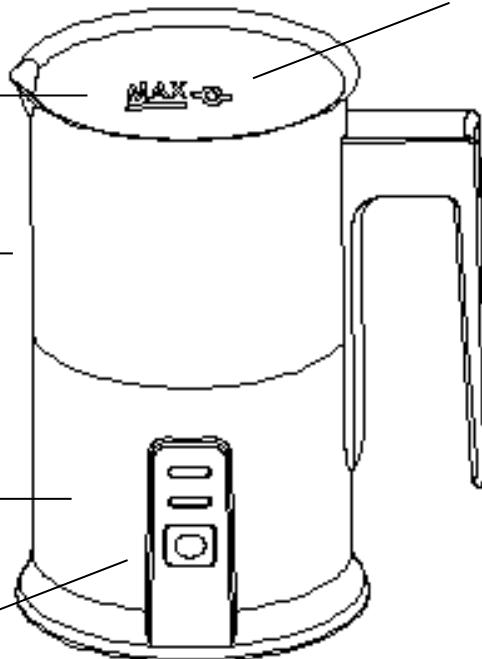
MAX

2. Silicone ring



MAX
MIN

3. Marks
For different functions



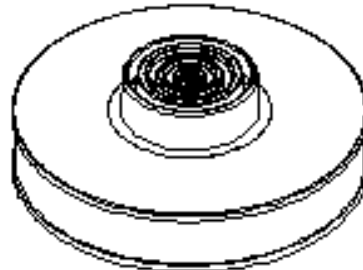
4. Jug: S/S Housing
Non-stick coating inside

5. Indicator lights

6. On/Pause button

7. Power base

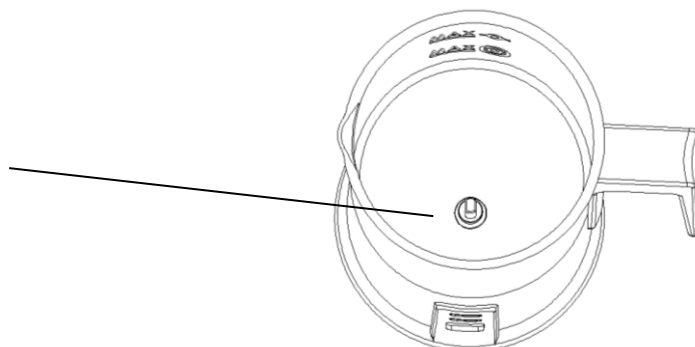
With cord



8. Whisking insert
For frothing milk



9. Stirring Insert
For heating milk



4. Operation Instructions

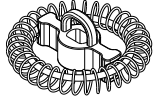
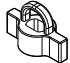
Before using the appliance for the first time please clean and dry the jug and accessories thoroughly.

Choose the appropriate insert and set it inside the jug, see the function below for reference.

Pour the milk into the jug to the appropriate fill line, see below for reference

Push the button to start the machine

- Frothing & Heating/Heating: touch the button and the blue and red lights will turn on, the red light keeps flashing for 30 seconds, the blue light will turn off when your milk is ready, the machine will automatically turn off at the same time.
- Frothing cold milk: pour the cold milk into the jug and push the button for 1-2 seconds until the blue light turns on. After 80 seconds the machine finishes, the blue light turns off and the red light will flash for 30 seconds

Insert	Function	Max capacity	Time
	Frothing cold milk	115ml	65s
	Frothing & Heating	115ml	80-90s
	Heating (a small amount of froth)	240ml	100-120s

For best results

- Always use your frother first to froth or heat your milk. While it is operating prepare your coffee or hot chocolate and serve immediately
- Use low-fat milk for best frothing results
- Cold milk can be frothed in this appliance but it won't keep it chilled
- Milk heats to approximately 65-70C. This is the ideal temperature to ensure the best flavour of your coffee.
- Keep the whisks in a safe place, they are small and can be easily lost
- After frothing and heating allow 2 minutes for the thermostat to reset and the frother to be ready for use again. To shorten this time, rinse with water and wipe dry after each use.
- The frother is designed to heat and froth milk, if you add flavourings, coffee granules or hot chocolate powder, in the frother be sure to thoroughly clean immediately after use.

5. Care

- Do not immerse in water and do not use any detergents, just wipe the base with a damp cloth or towel. To clean the jug and inserts rinse out with water.
- Not dishwasher safe
- Do not leave the appliance in a damp or steamy environment
- This appliance is operated by an electric motor; there is no need to use lubrication for any moving parts, motor, bearings or sharpening surfaces.

6. Troubleshooting

Issue	Reason	Solution
Indicator light doesn't work, jug doesn't work	1、 Plug is not inserted properly.	Re-insert
	2、 Jug and power base has poor contact.	Check the jug and try again
	3、 No power supply to the outlet	Check the electric circuit
	4、 Problem with components	Contact your retailer
Jug ceases to work after starting operation	1、 Jug temperature is too high	Rinse with cold water inside the jug to reduce temperature
	2、 Jug damaged with immersion in water	No longer use it, this is not covered by guarantee
Motor doesn't work	1、 Jug not cleaned in good time after use, milk locks the mechanism.	Clean and move the shaft sleeve of motor by hand to loosen it.
	2、 Motor damage	Contact your retailer
No heating	1、 Machine damage	Contact your retailer
Charring	1、 Dosage of milk either too little or too much	Use the dosage of milk according to the dial
	2、 Jug reused without cleaning	Always clean in good time after use
	3、 Actual voltage much lower than specified voltage	Use the appropriate voltage

7. Guarantee

If after following these instructions the milk frother does not work, there may be a manufacturing problem. If this is the case, Albi guarantees this product for 1 year from the date of purchase. The full details of this guarantee can be found at www.albi.com.au or by calling (03) 9474 1300. In the event of such a problem you should return it to the place from which you bought it, WITH PROOF OF PURCHASE, in the form of a valid receipt. Damage through misuse will nullify this guarantee.

For any other advice please contact:

Customer Service

Albi

87 Chifley Drive,

Preston Vic 3072

Phone: 03 9474 1300

Email: albi@albi.com.au