

DAVIS & WADDELL

essentials

Crepe & Popcorn Maker

DES0544, DES0544ST

www.davisandwaddell.com.au

Thank you for choosing the Davis & Waddell Crepe & Popcorn Maker.

To ensure proper operation and to maintain the lifespan of your appliance, please read these instructions carefully before use.

Safety First

Please read these instructions carefully before using this appliance, and save this manual for future use. This appliance is intended for household use only and not for commercial or industrial use.

Important Safeguards

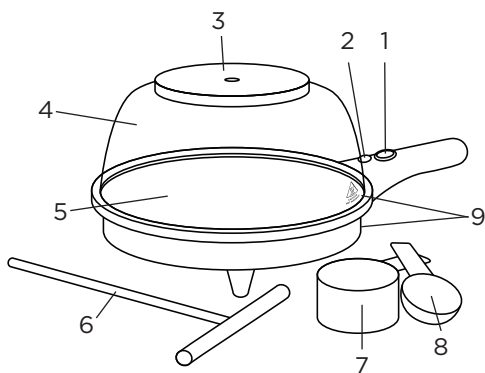
When using electrical appliances, basic precautions should always be followed, which include the following:

- Make sure that the voltage of your outlet is the same as the voltage indicated on the appliance's rating label.
- Do not let children play with the appliance. This appliance is not a toy.
- This appliance contains no user serviceable parts. If the power supply cord, plug, or any other part of the appliance is malfunctioning or damaged, only a qualified electrician should repair it.
- Keep the appliance and its power supply cord away from heat or sharp edges.
- Keep the power supply cord away from any parts of the appliance that may become hot during use.
- Do not immerse the appliance in water or any other liquid.

- Do not operate the appliance with wet hands.
- Do not leave the appliance unattended while connected to the mains power supply.
- Do not remove the appliance from the main power supply by pulling the cord; remove the plug from the outlet by grasping the plug.
- Do not use the appliance for anything other than its intended use.
- Do not use any accessories other than those supplied.
- Do not use this appliance outdoors.
- Do not store the appliance in direct sunlight or in high humidity conditions.
- Do not touch any section of the appliance that may become hot or the heating components of the appliance, as this could cause injury.
- Do not use sharp or abrasive detergents with this appliance.
- Always ensure that the appliance has fully cooled after use before performing any cleaning, maintenance or storing, although the grill plates are easier to clean if still slightly warm.
- Always use the appliance on a flat, stable, heat-resistant surface.
- Use of an extension cord with the appliance is not recommended.
- This appliance is intended for domestic use only - it should not be used for commercial purposes.
- Keep the appliance away from flammable materials.

Before The First Use

- Ensure that the appliance is switched off and unplugged from the mains power supply
- Wipe the appliance with a soft, damp cloth and dry thoroughly.
- Clean the accessories in warm, soapy water, then rinse and allow to dry naturally.



Features and Parts

1. ON/OFF switch
2. Indicator Light
3. Bowl Cap
4. Serving Bowl
5. Non-Stick Cooking Plate
6. Batter Spreader
7. Measuring Cup
8. Oil Measure



**CAUTION
HOT SURFACE**

9. This symbol denotes accessible surfaces temperature may be high when the appliance is running.

Making Popcorn

1. Place the appliance onto a flat, stable surface, at a height that is comfortable for the user.
2. Using oil measure provided, measure out one level spoon of oil or butter and apply it to the non-stick cooking plate, rubbing it in carefully with a paper towel.
3. Plug in the appliance.
4. Press the switch ON/OFF and the indicator light will illuminate.

5. Preheat the appliance for approx. 1.5 - 2 minutes - the indicator light will switch off once the required temperature has been reached.
6. Using the measuring cup provided, measure out 50-60g of popcorn kernels and pour them onto the oiled, non-stick cooking plate.
7. Align the tab on the serving bowl with the arrow on the appliance and then twist the serving bowl 90° in a clockwise direction, until it locks into position. Remove the bowl cap to allow any steam to escape.
8. Use the handle to gently shake the appliance, ensuring that all the kernels are evenly coated in oil. It will take approximately 5-6 minutes for all kernels to pop.
9. Once cooking is complete, turn off the appliance using the ON/OFF switch and unplug it from the mains power supply. Replace the bowl cap onto the serving bowl.
10. Holding the appliance by the handle, flip it 180° and twist the serving bowl 90° in an anticlockwise direction, to remove it from the appliance.
11. The serving bowl can now be used to serve delicious popcorn.

Making Crepes

1. Place the appliance onto a flat, stable surface at the height that is comfortable for the user.
2. Plug in the appliance.
3. Turn on the appliance using the ON/OFF switch, the indicator light will illuminate.
4. Preheat the appliance for approx. 1.5 - 2 minutes - the indicator light will switch off one the required temperature has been reached.
5. If required, spread a little oil over the non-stick surface.

6. Using the measuring cup provided, measure out one level cup of crepe batter and pour it onto the non-stick cooking plate. Do not use more than one level cup of batter at a time, as this could hinder the cooking process.
 7. Using a batter spatula, spread the batter in a circular motion until it is evenly distributed across the non-stick cooking plate.
 8. Cook the crepe for approx. 2 minutes or until the bottom has lightly browned.
 9. When the crepe starts to bubble, loosen the edges with a spatula, flip the crepe over and allow it to finish cooking.
 10. Once cooking is complete, turn off the appliance using the ON/OFF switch and unplug it from the mains power supply.
 11. Carefully slide the crepe from the appliance onto a plate - use a heat resistant rubber/plastic or wooden spatula - do not use metal utensils as these may damage the non-stick surface.
8. Take the cooked eggs off the cooking plate using a wooden or heat-resistant plastic spatula.
 9. Carefully slide the eggs from the appliance onto a plate.
 10. Once cooking is complete, turn off the appliance using the ON/OFF switch and unplug it from the mains power supply.

Care and Maintenance

- Always ensure that the appliance is unplugged from the mains power supply and has fully cooled down before performing any cleaning or user maintenance.
- Wash the bowl cap and measuring cups in warm, soapy water, then rinse and dry thoroughly.
- Wipe the non-stick plate with a soft, damp cloth and allow to dry thoroughly.
- Never immerse the appliance in water or any other liquids.
- Do not use abrasive detergents or scourers to clean the appliance.
- This appliance is not suitable for dishwasher use. Always clean the appliance immediately after each use.

Making Fried Eggs

1. Place the appliance onto a flat, stable surface at the height that is comfortable for the user.
2. Plug in the appliance.
3. Turn on the appliance using the ON/OFF switch - the indicator light will illuminate.
4. Preheat the appliance for approx. 1.5 - 2 minutes - the indicator light will switch off once the required temperature has been reached.
5. Spread a little oil over the non-stick surface.
6. Pour eggs onto the preheated plate, sprinkle with a little salt pepper and/ or your favourite spices.
7. Fry as long as you like.

Storage

- Ensure that the appliance is cool, clean and dry.
- Never store the appliance while it is wet.
- Never wrap the power supply cord tightly around the appliance; wrap it loosely to avoid any damage.
- Store in a cool and dry place.

Recipes

Salted Popcorn

Ingredients

- 30g butter
- 20g sugar
- 1 tbsp. water
- 1 tbsp. olive oil
- Salt to taste

Method

1. Combine all of the ingredients in a saucepan and gradually heat until the butter has melted.
2. Let the mixture cool - stirring occasionally.
3. Pour the mixture over the popcorn and shake well.

Sweet Popcorn

Ingredients

- 30g butter
- 30g brown sugar
- 2 tbsp. syrup

Method

1. Combine all of the ingredients in a saucepan and gradually heat up until the butter has melted.
2. Let the mixture cool - stirring occasionally.
3. Pour the mixture over the popcorn and shake well.

Crepes

Ingredients

- 100g flour
- 2 eggs
- 300m1 milk
- 1 tbsp. vegetable oil + extra for cooking
- Pinch of salt

Method

1. Put the flour and salt into a large mixing bowl and create a well in the middle.
2. Break the eggs and pour them into the well.
3. Add 50mL milk and the vegetable oil, mixing everything together with a whisk until the batter is smooth and thick.
4. Keep mixing with the whisk while adding the remaining milk.
5. Leave the batter in the fridge for approximately 30 minutes to allow the starch to rise.
6. Prepare the crepes according to the earlier instructions.

Packaging and Recycling

- The materials used for this product's packaging can be reused, recycled and disposed of through specific waste streams.
- REUSE: Keep packaging to safely store or transport your appliance, preventing damage.
- RECYCLE: Look for recycling symbols on packaging components to identify if they are recyclable. Check with your local authorities to find out what materials are accepted for recycling in your area.
- DISPOSE: Look for symbols on packaging components and dispose of materials accordingly.

Our 12 Month Guarantee

Our goods come with guarantees that cannot be excluded under the Australian Consumer Law. You are entitled to a replacement or refund for a major failure and compensation for any other reasonably foreseeable loss or damage. You are also entitled to have the goods repaired if the goods fail to be of acceptable quality, and the failure does not amount to a major failure.

We stand by this product. Therefore, we offer a 12-month guarantee on the heating element. The benefits of this guarantee are in addition to any rights and remedies imposed by Australian Consumer Law. Our guarantee excludes normal wear and tear, and instances where care and use instructions have not been followed.

What IsAlbi will do

During this guarantee period, IsAlbi will repair, replace or refund any defective product. If identical product is not available for replacement, a similar product may be offered. IsAlbi asks you to cover the cost of postage/transit if the product needs to be sent back to us for inspection. If IsAlbi deems the product is defective, we will reimburse your postage/transit expenses. IsAlbi will be responsible for the postage/transit of the repaired/replacement product back to you.

What to do

If a fault/defect is identified, cease using the product immediately.

To make a claim on this guarantee, take the product, proof of purchase, and full details of the alleged defect to the retailer from whom the product was purchased. If you cannot access the retailer or are unsatisfied with the solution offered by the retailer, contact IsAlbi via the details below.

IsAlbi

Sydney Office

sydsales@isalbi.com.au

1800 819 270

256/117 Old Pittwater Road,
Brookvale, NSW 2100

Melbourne Office

enquiries@isalbi.com.au

+61 (03) 9474 1300

87 Chifley Drive, Preston, VIC 3072