

DAVIS & WADDELL

essentials

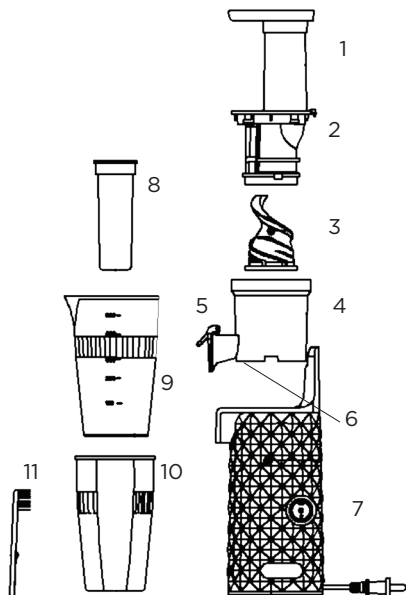
Electric Compact Slow Juicer
DES0558
davisandwaddell.com.au

Thank you for choosing the Davis & Waddell Electric Compact Slow Juicer. To ensure proper operation and to maintain the lifespan of your appliance, please read these instructions carefully before use.

Features and Parts:

Rating: 220-240-50-60Hz, 130W



1. Feeding Pipe
2. Stainless-Steel Juicing Filter
3. Auger
4. Juicing Cup
5. Juice Extractor
6. Food Residue Extractor
7. Juicer Base
8. Food Pusher
9. 600ml Juice Container
10. 450ml Food Residue Container
11. Cleaning Brush



Important Safeguard:

- Before using the electrical appliance, the following basic precautions should always be followed:
- The appliance is designed for household use only.
- This appliance is not intended for use by persons (including children) with reduced physical, sensory, or mental capabilities, or lack of experience and knowledge, unless they have been given supervision or instructions concerning the use of this appliance by a person responsible for their safety.
- Read all instructions first.
- Children should be supervised to ensure they do not play with the appliance.
- Do not operate any appliance with a damaged cord or plug, after the appliance malfunctions, after it has been dropped, or after it gets damaged in any manner.
- To protect against the risk of electrical shock, do not immerse the appliance in water or any other liquid.
- Do not let the cord hang over the edge of a table or counter or touch any hot surfaces.
- If the supply cord is damaged, it must be replaced by the manufacturer, its service agent or similarly qualified persons in order to avoid a hazard.
- To reduce the risk of electric shock, never operate this appliance with wet hands, spill liquid on the base, or submerge the base in water or any other liquid.
- Never leave the appliance unattended during operation.
- Do not place the appliance on or near gas, or on a heated oven.
- Do not use outdoors. Intended for indoor household use only.
- Unplug from the outlet when not in use, while assembling or disassembling and before cleaning.
- Never use any attachments that are not listed in the Instruction Manual and supplied in the appliance's box.
- Do not touch or move any moving parts during the operation of this appliance.

- Do not use fingers, a spoon, or chopsticks to push fruits and vegetables into the chute of the appliance. Only the Pusher is allowed.
- Do not open the appliance when it is operating.
- If parts of this appliance structure are found to be damaged (especially the safety device and power cord), please stop using and send it to a service centre to be repaired by a qualified technician.

4. Position the Feeding Pipe onto the Juicing Cup to align with the  setting, and twist clockwise until it clicks the safety lock. Please make sure that the arrow ▲ is on the  setting.
5. Place the Juice Container under the Juice Extractor (the one with a cover), and Food Residue Container under the Food Residue Extractor (the one without a cover).

Packaging and Recycling:

The materials used for this appliance's packaging can be reused, recycled, and disposed of through specific waste streams.

- **REUSE:** Keep packaging to safely store or transport your appliance, preventing damage.
- **RECYCLE:** Look for recycling symbols on packaging components to identify if they are recyclable. Check with your local authorities to find out what materials are accepted for recycling in your area.
- **DISPOSE:** Look for symbols on packaging components and dispose of materials accordingly.

Operating Your Electrical Compact Slow Juicer:

Before first use, ensure all parts have been cleaned and are thoroughly dry following the Care Instructions.

NOTE: DO NOT IMMERSE THE JUICER BASE IN WATER.

Assembly Instruction:

1. Please make sure the appliance is not plugged in and the switch is turned to the (O) setting, prior to assembling.
2. Position the Juicing Cup onto the Juicer Base, aligning both extractors and the axle.
3. Push the Auger firmly into the center of the Bowl, making sure it touches the bottom.

Operation Instructions:

1. Connect the appliance to the power outlet.
2. Check and make sure all parts are well assembled and in correct position.
3. Make sure the appliance is off (O position).
4. Ensure the Juice and Food Residue Containers are in position.
5. Make sure the Juice Extractor Cover is closed.
6. Prepare your fruits or vegetables and cut into pieces. Max: 5cm x 2cm strips, or 3cm x 3cm cubes.
7. Put the fruit or vegetable strips/cubes into the Feeding Pipe.
8. Press the switch to Setting (-) to start the juicing operation.
9. Push the food down with the Pusher only.
10. In case of food getting stuck inside the Juicing Cup, please switch to the (R) reverse function immediately.
11. If mixed juices are to be made, please begin with harder fruits, followed by softer fruits.
12. Please allow the appliance to run for 30 seconds after the last ingredient is fed.

ATTENTION:

1. This appliance is not suitable for juicing hard, fibrous, or starchy fruits and vegetables, such as sugar cane. Remove hard pits or seeds prior to pressing, preventing possible damage to the Auger. There are some fruits and vegetables which contain too much starch to juice, such as: avocados, bananas, figs, mangos, papayas, dragon fruit, strawberries, grapes without seeds, etc. They will clog up the Stainless-Steel Filter.

2. Please do not use the appliance continuously for longer than 15 minutes.
-If the appliance gets overheated, it will turn off automatically to protect the machine. In this case, please turn the appliance off (O). Wait 10 minutes to let the appliance cool down before turning it on again.

Care Instruction (Cleaning and Maintenance):

IMPORTANT: Please wash all parts immediately after each use, otherwise residue might stick tightly to the Juicing Cup and Auger. This will affect the disassembly, cleaning, and juicing performance. Do not use an iron wire brush, abrasive, or sharp object tool to clean the appliance. Please do not use water above 40°C.

1. Switch off and unplug the appliance. Wash the disassembled parts with water. If the filter is clogged, please use the provided cleaning brush to remove.
2. In case there is any residue remaining in the mouth of the Residue Extractor, please turn the Juice Cup upside down, pull out the Silicone Valve, and clean under running water. Press the Silicone Valve to close properly and tightly after cleaning.
3. To clean the Seal Ring in the center of the Juice Cup, please follow these steps:
 - a) Turn the Juice Cup upside down for easier handling and push the Seal Ring out with your thumbs. Clean with water.
 - b) After cleaning, please put the Seal Ring back into the center hole. The small, ribbed surface should be facing upwards. Make sure the groove of the Seal Ring fits into the Juice Cup.
 - c) The flat/big side of the Seal Ring will be inside while the ribbed/small side is outside the Juicing Cup.
4. Do not put the power base into water for cleaning. Wipe with a damp cloth only.
5. After cleaning, please dry all parts thoroughly and store in a dry, cool place.

Our 12-Month Guarantee

In Australia, our goods come with guarantees that cannot be excluded under the Australian Consumer Law. You are entitled to a replacement or refund for a major failure and compensation for any other reasonably foreseeable losses or damage. You are also entitled to have the goods repaired if the goods fail to be of acceptable quality and the failure does not amount to a major failure.

The benefits of this guarantee are in addition to any rights and remedies imposed by the Australian Consumer Law. Our guarantee excludes normal wear and tear and instances where care and use instructions have not been followed.

What IsAlbi Will Do:

During this guarantee period, IsAlbi will repair, replace, or refund any defective product. If identical product is not available for replacement, a similar product may be offered. IsAlbi asks you to cover the cost of postage/transit if the product needs to be sent back to us for inspection. If IsAlbi deems the product is defective, we will reimburse your postage/transit expenses. IsAlbi will be responsible for the postage/transit of the repaired/replacement product back to you.

What To Do:

If a fault/defect is identified, cease using the product immediately. To make a claim on this guarantee, take the product, proof of purchase, and full details of the alleged defect to the retailer from whom the product was purchased. If you cannot access the retailer or are unsatisfied with the solution offered by the retailer, contact IsAlbi via the details below.

IsAlbi

87 Chifley Drive, Preston, Victoria 3072

P: +61 (03) 9474 1300

E: enquiries@isalbi.com.au

isalbi.com.au

Receipes

Lemon Lime Ginger

Ingredients:

- 1 apple, cored and sliced
- ½ inch fresh ginger (less if you find the taste too strong)
- 1/2 lime
- 1/4 lemon
- sparkling mineral water

Directions:

Remove the grapes from the stem. Juice the apple and ginger together, then juice the rest of the fruit. Pour the juice in a large glass and fill to the top with sparkling water and serve with ice.

Carrot Juice

Ingredients:

- 500g carrots
- 3cm ginger
- 3 large oranges
- 1 cup water

Directions:

Run your juicer and add the carrots, ginger, and oranges to the chute. Collect the juice from the juice extractor on your juicer. Service it immediately.

Green Juice

Ingredients:

- 4 large apples
- 6 celery stalks
- 2 kale leaves

Directions:

Core the apples, de-stem kale leaves. Juice them in the juicer together with celery stalks, that have been cut into smaller pieces. Collect the juice from the juice extractor on your juicer. Service it immediately.