

Leaf+Bean

Cold Brew Coffee Maker

DLE0148

Instruction Manual

Thank you for choosing the Leaf & Bean Cold Brew Coffee Maker

To ensure proper operation and to maintain the lifespan of your appliance, please read these instructions carefully before use.

Important Safety Instructions

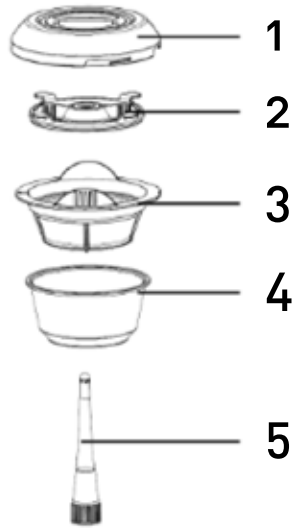
PLEASE READ AND SAVE THIS INSTRUCTION MANUAL.

When using this appliance, basic safety precautions should always be followed, including:

1. READ ALL INSTRUCTIONS.
2. Remove all bags and packaging from the appliance before use.
3. Wash and dry the appliance thoroughly before use.
4. Unplug the appliance before disassembling, cleaning and when not in use.
5. All parts must be properly assembled before use.
6. To protect against the risk of electrical shock, never immerse the cord, plug or main appliance in water or any other liquids.
7. Only operate the appliance on a stable and dry surface.
8. Do not operate the appliance with a damaged cord or plug. If the appliance malfunctions or is damaged, return to point of purchase for examination, repair or electrical/mechanical adjustment.
9. If the supply cord is damaged, it must be replaced by the manufacturer, its service agent, or similarly qualified persons in order to avoid a hazard.
10. Refrain from using attachments that are not recommended by the appliance's manufacturer, as this may result in fire, electric shock or personal injury.
11. Do not use outdoors. This appliance is intended for indoor and household purposes only.
12. This appliance is not intended for use by persons (including children) with reduced physical, sensory or mental capabilities, or a lack of experience and knowledge, unless they are provided with supervision and instruction by a person responsible for their safety.
13. Never immerse the appliance in water or any other liquids. Instead, wipe the surface with a soft, damp cloth and dry thoroughly.
14. Children should be supervised to ensure they do not play with the appliance.
15. Always be sure to unplug the appliance from its outlet prior to assembly, disassembly, cleaning and storage.
16. This appliance is intended for household use ONLY. It is not for commercial or industrial use.
17. Always unplug the appliance if left unattended.
18. Check and make sure voltages and currents of the appliance are compatible with the power supply.
19. ALWAYS USE ROOM TEMPERATURE WATER. NEVER USE HOT WATER OR COLD WATER.

Features and Parts:

1. Lid
2. Top Filter
3. Coffee Basket
4. Ice Basket
5. Removable Sprayer
6. Water Tank
7. Main Unit
8. Start / Stop Button
9. Time Button
10. Coffee Release Valve
11. Feet Pad



Control Panel Details:

8. Start/Stop Button

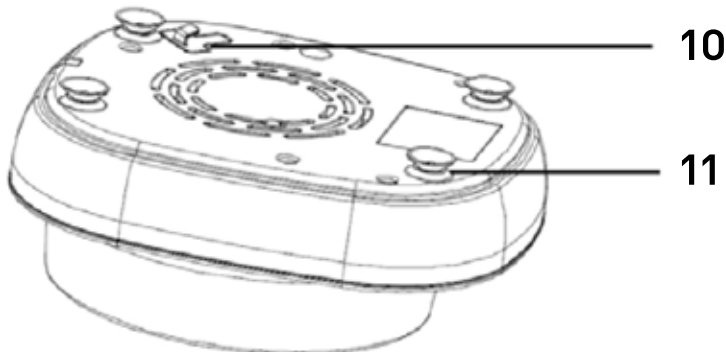
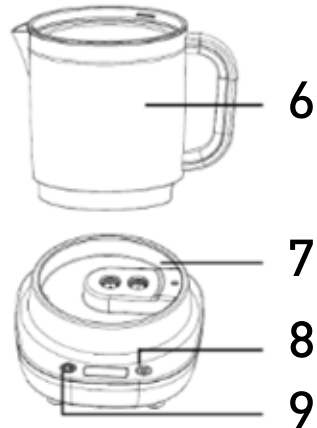
Press the button to start or stop.

9. Time Button

Press the button to set your start time for 4, 6, 8 or 10 minutes.

Long press for 3 seconds for the CH:LL. This will start the CHILLING CYCLE.

Add ice cubes into the ice basket separately after your cold brew is done. The appliance will then run 6 minutes to cycle the ice.



How to Use:

1. Remove the plastic bags and clean all parts before using.
2. Install the removable sprayer into the sprayer connector and turn clockwise to lock into place tightly.



3. Fill room temperature water into the water tank. Install into the main unit.
NOTE: PLEASE DO NOT ADD HOT WATER OR ICED WATER. DO NOT FILL WATER BEYOND THE MAX LINE. MAX CAPACITY IS 1050ML.



4. Add medium or coarse ground coffee into the coffee basket. The max weight is 60g (there are four lines on the inner side of the ribs to indicate the max line). Place the coffee basket into the upper step of the bracket in the water tank and press down.
NOTE: THIS ITEM IS NOT SUITABLE FOR FINE COFFEE POWDER.



5. Make sure to wash the top filter first, then place in the coffee basket. Place them in the upper step of the bracket in the water tank and press down.
CAUTION: TO AVOID GROUND COFFEE BLOCKING THE PUMP OR PIPES, ALWAYS USE THIS APPLIANCE WITH THE TOP FILTER AND DO NOT SPILL POWER INTO THE WATER TANK.



6. Place the lid on the water tank and turn clockwise to lock into place.



7. Plug in, then set the time to 4, 6, 8 or 10 minutes. Press the start/stop button to begin the brew cycle. To cancel brewing, press the start/stop button again.
TIP: When the appliance is making cold brew, press the time button to set a reasonable time.
8. When the brewing cycle is complete, the screen will stop its countdown and signal that the coffee is ready to be served.
9. After brewing, add ice into the ice basket and place into the lower step of the bracket in the water tank.

NOTE: DO NOT ADD ICE OVER THE MAX WEIGHT OF 160G

Recipe:

Water Volume	Coffee Powder
450ml / 3 cups	40g
600ml / 4 cups	50g
750ml / 5 cups	60g
900ml / 6 cups	60g
1050ml / 7 cups (max line)	60g

Brew Strength	Work Time
Light	4 minutes
Medium	6 minutes
Strong	8 minutes
Concentrate	10 minutes

Care and Cleaning

CAUTION:

1. Make sure the appliance is disconnected from the power supply before cleaning.
2. Never immerse the appliance in water or any other liquid. Wipe with a damp cloth and dry thoroughly.

CLEANING:

1. Turn the lid from the water tank counter-clockwise.
2. Remove the coffee basket, top filter and ice basket from the water tank. Disregard the ground coffee and wash all items.
3. Pour clean, cold water into the water tank and run a few cycles to clean the pump.
4. Remove the water tank from the appliance and pour out the cold water.
5. Turn the removable sprayer from the sprayer connector counter-clockwise and lift up. Wash thoroughly.
6. Lift the coffee release valve to drip out any excess coffee / water from the pump and pipes.

CAUTION:

Please clean the appliance every time after using. Do not forget Step 6, otherwise a bad taste may occur.

7. The coffee release valve must be reconnected after cleaning, otherwise the appliance will leak from the bottom.
8. Dry all parts after cleaning.
CAUTION: Do not put any water in the appliance once the water tank has been removed.

TIPS:

All parts below can be washed in warm, soapy water and rinsed thoroughly:

- Lid
- Top Filter
- Coffee Basket
- Ice Basket
- Removable Sprayer
- Water Tank

Our 12 month Guarantee

Our goods come with guarantees that cannot be excluded under the Australian Consumer Law. You are entitled to a replacement or refund for a major failure and compensation for any other reasonably foreseeable loss or damage. You are also entitled to have the goods repaired if the goods fail to be of acceptable quality and the failure does not amount to a major failure.

We stand by this product. Therefore we offer a 12 month guarantee on the heating element. The benefits of this guarantee are in addition to any rights and remedies imposed by Australian Consumer Law. Our guarantee excludes normal wear and tear and instances where care and use instructions have not been followed.

What IsAlbi will do:

During this guarantee period IsAlbi will repair, replace or refund any defective product. If identical product is not available for replacement, a similar product may be offered. IsAlbi asks you to cover the cost of postage/transit if the product needs to be sent back to us for inspection. If IsAlbi deems the product is defective, we will reimburse your postage/transit expenses. IsAlbi will be responsible for the postage/transit of the repaired/replacement product back to you.

What to do:

If a fault/defect is identified cease using the product immediately. To make a claim on this guarantee, take the product, proof of purchase and full details of the alleged defect to the retailer from whom the product was purchased. If you cannot access the retailer or are unsatisfied with the solution offered by the retailer contact IsAlbi via the details below.

IsAlbi

87 Chifley Drive, Preston, Victoria 3072

P: +61 (03) 9474 1300

E: enquiries@isalbi.com.au

www.isalbi.com.au