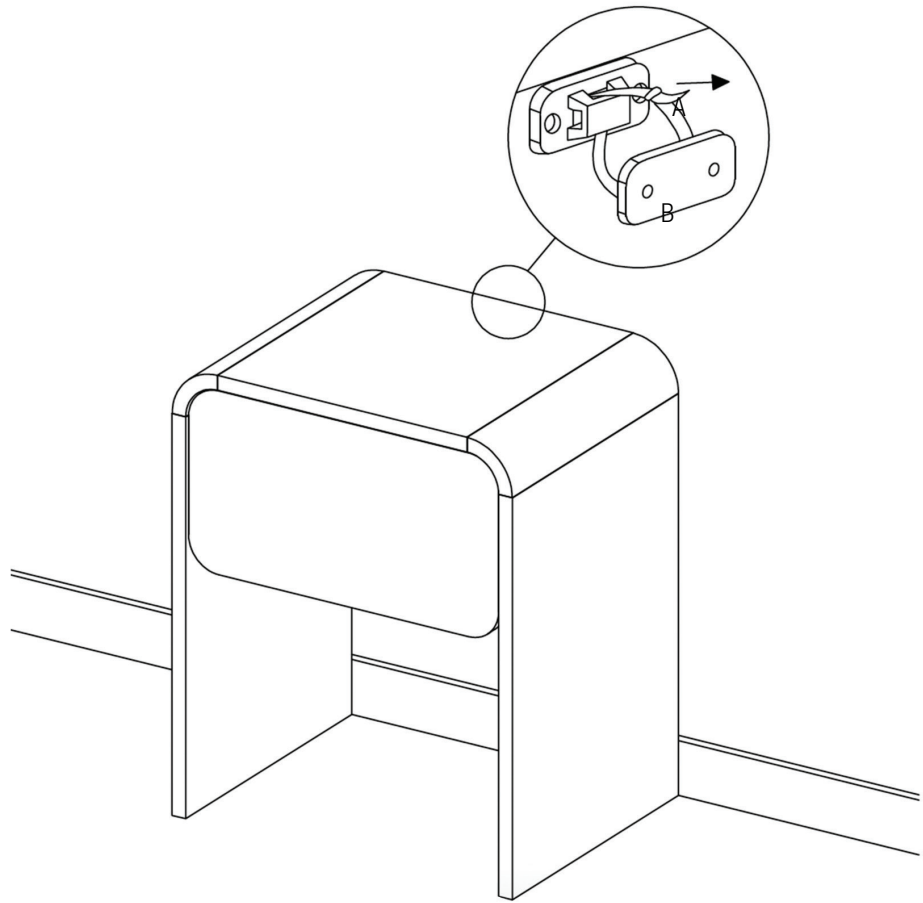
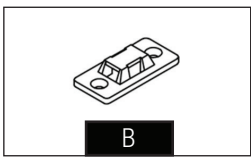
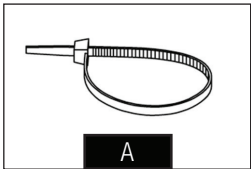


PARTS



## WARNING:

**It is highly recommended that this piece of furniture is anchored using the components provided.**

**Toppling furniture can cause serious injuries and death to children.**

This product has been fitted with an anchor strap. To prevent your furniture from tipping forward it is strongly recommended that you attach this product to a wall or other solid surface, using the anchor straps provided and appropriate fixings.

**IMPORTANT:**

Regularly check that anchors are securely maintained.

Stability of tall items may be affected by thick pile carpet or uneven floors.

**CAUTION:**

For your safety when attaching the anchor fixings, please note the following:

- Check for any electrical wires or plumbing inside the wall before drilling any holes (if you are unsure please seek professional advice from a qualified tradesperson)
- Walls are constructed from different materials, for example, masonry (solid brick) or plasterboard lined cavity walls (hollow). It is important that you use the appropriate wall fixings for your wall type.
- Your local hardware store will have the necessary drills and fixings and can offer advice if needed. If in doubt, engage the services of a qualified tradesperson to install and anchor the product.