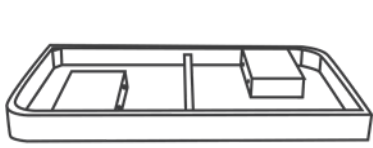
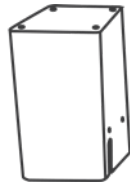


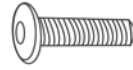
## PARTS



A x 1



B x 2



C x 8



D x 8

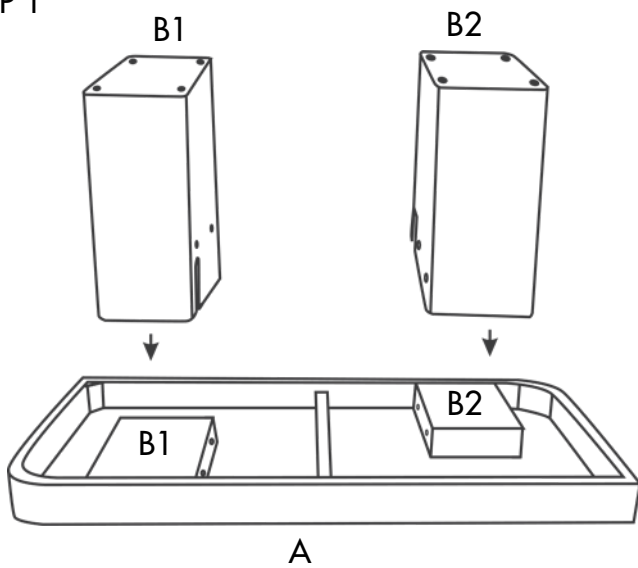


E x 8



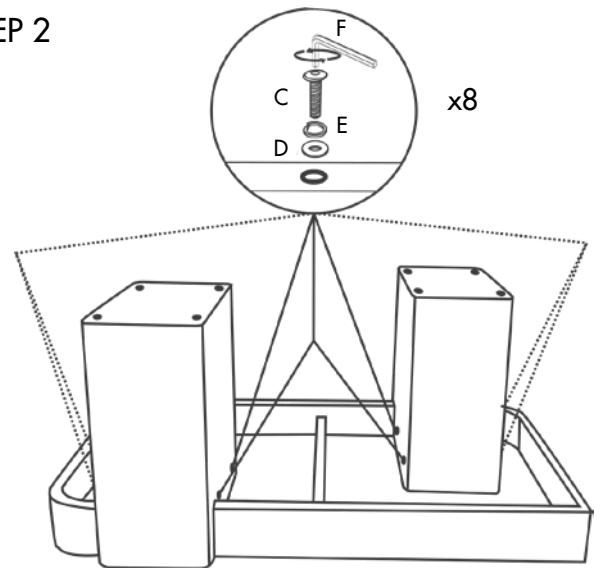
F x 1

## STEP 1



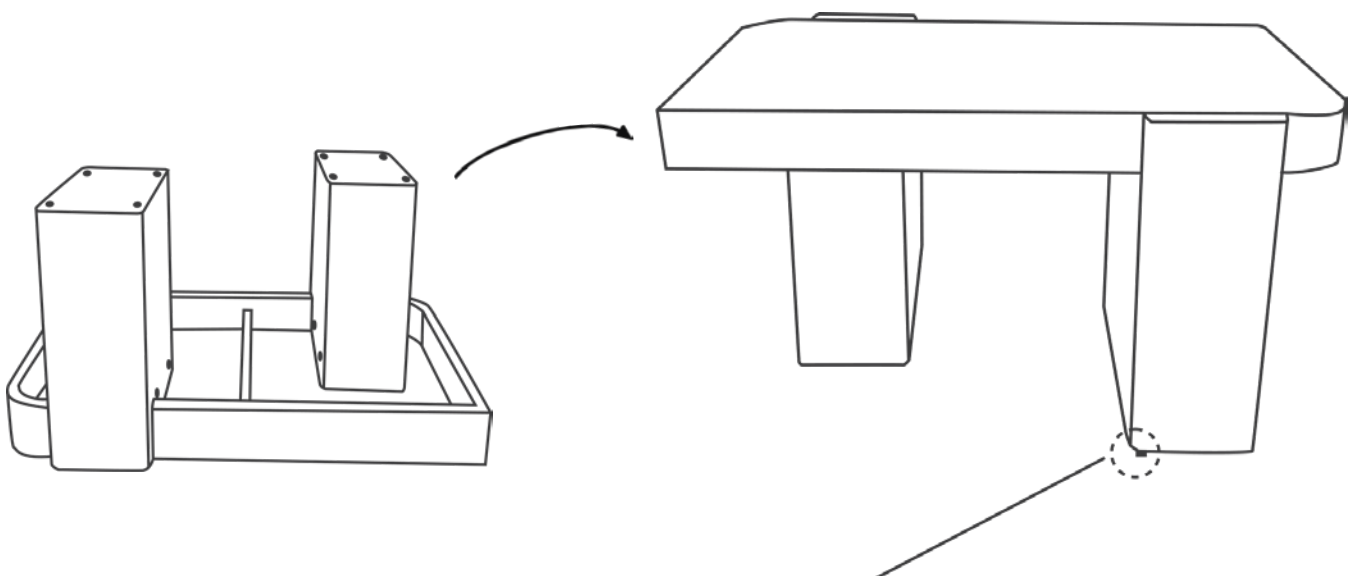
ENSURE TO MATCH LABEL B1-B1 & B2-B2

## STEP 2



SECURE CONNECTION WITH THE SEQUENCE AS SHOWN ABOVE. DO NOT FULLY TIGHTEN UNTIL ALL HARDWARE HAS BEEN ENGAGED

## FINAL



NOTE: LEVELERS CAN BE USED FOR ADJUSTMENT IF NEEDED