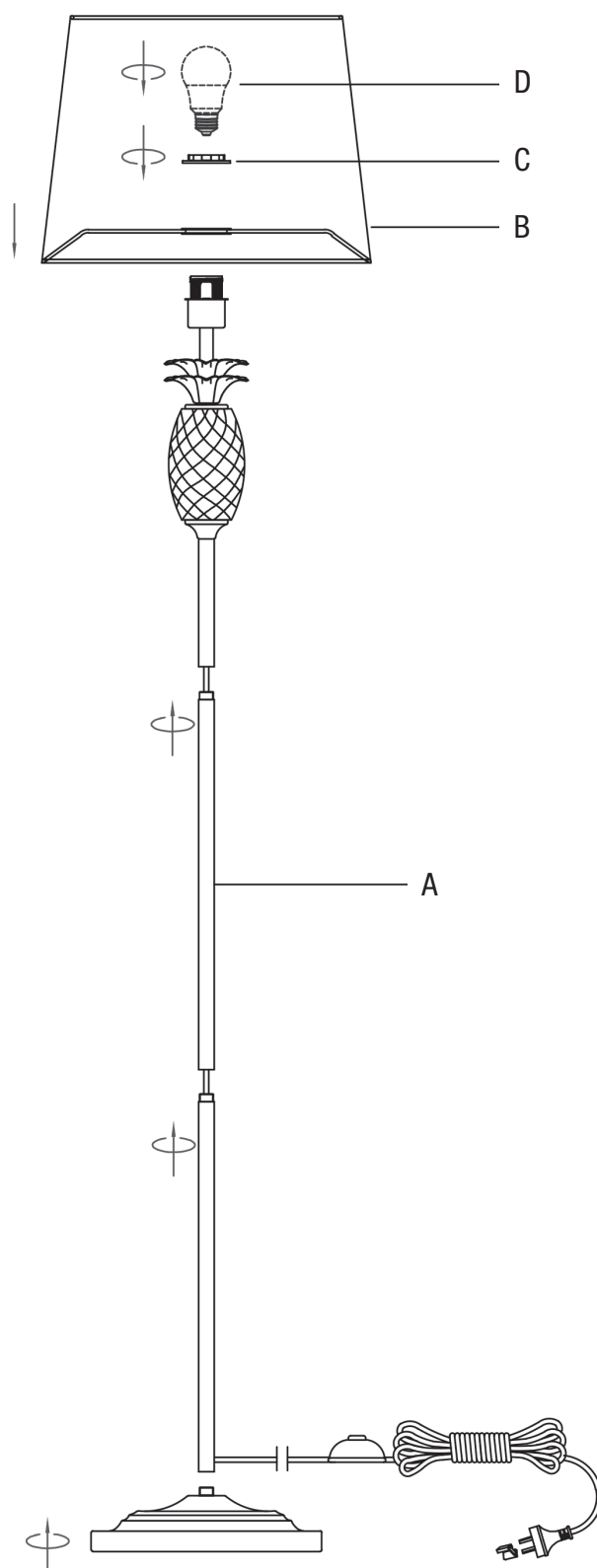


# SOCIETY HOME

ASSEMBLY INSTRUCTIONS  
PINEAPPLE FLOOR LAMP

ITEM NO: JLFLSH003



THIS ITEM HAS A "TYPE Y" CORD

IF THE EXTERNAL FLEXIBLE CABLE OR CORD OF THIS LUMINAIRE IS DAMAGED, IT SHALL BE EXCLUSIVELY REPLACED BY THE MANUFACTURER OR HIS SERVICE AGENT OR A SIMILAR QUALIFIED PERSON IN ORDER TO AVOID A HAZARD.