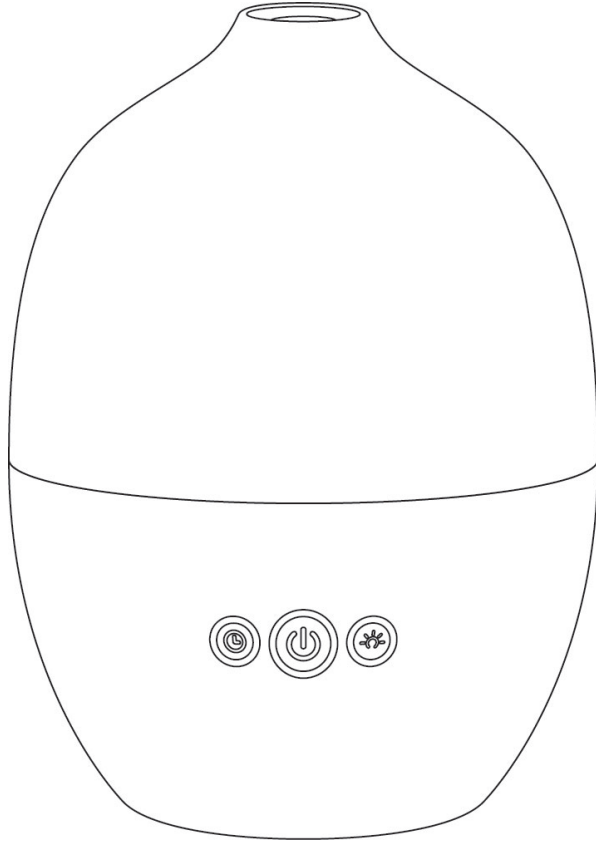


# emporium



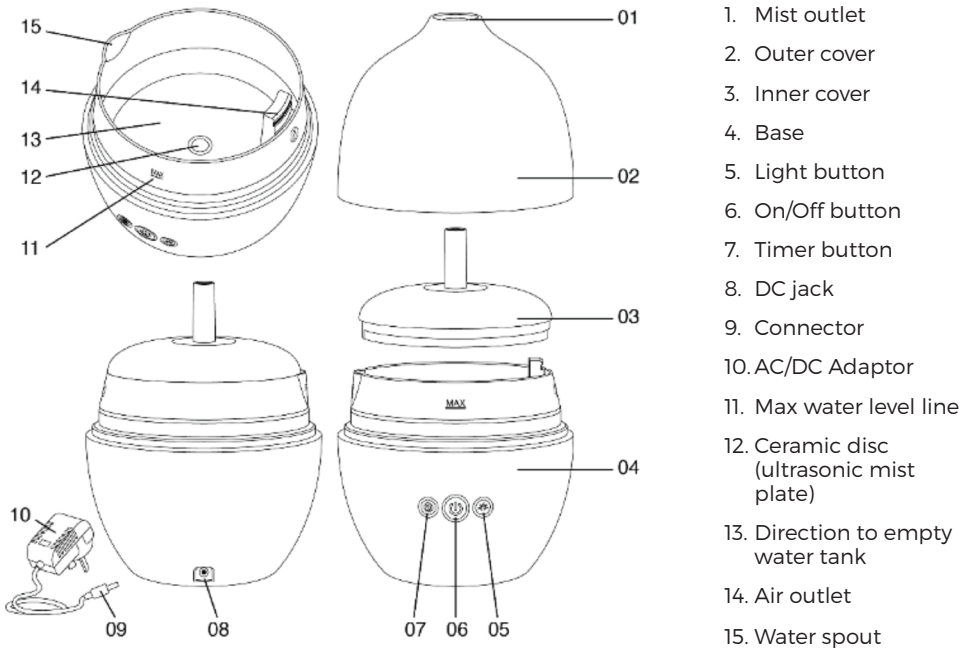
**NEERA**  
**ULTRASONIC DIFFUSER**

CAPACITY: 300mL

WBECEM003

[WWW.EMPORIUMHOME.COM.AU](http://WWW.EMPORIUMHOME.COM.AU)

Thank you for choosing the Emporium Neera Ultrasonic Diffuser 300mL. To ensure proper operation and to maintain the lifespan of your appliance, please read these instructions carefully before use.



1. Mist outlet
2. Outer cover
3. Inner cover
4. Base
5. Light button
6. On/Off button
7. Timer button
8. DC jack
9. Connector
10. AC/DC Adaptor
11. Max water level line
12. Ceramic disc (ultrasonic mist plate)
13. Direction to empty water tank
14. Air outlet
15. Water spout

### Safety First

**The safety precautions listed below are intended to prevent you and others from potential injury and to prevent damage to the product.**

**The manufacturer is not responsible for any damage caused by incorrect use of the product.**

- This appliance is not intended for use by persons (including children) with reduced physical, sensory or mental capabilities, or lack of experience and knowledge, unless they have been given supervision or instruction concerning use of the appliance by a person responsible for their safety. Children being supervised not to play with the appliance
- The appliance must only be supplied at SELV and must be used with the adaptor power supply provided.
- Do not dismantle or modify the diffuser.
- Do not cut, damage, modify the power cord

- or put weight on the power cord.
- This may cause an electric shock or fire.
- This diffuser is solely for ambient diffusion with essential oils or suitable water soluble home fragrances. Do not inhale mist.
- Do not use pure essential oils or water soluble home fragrances without water.
- Only use clean, cool, still tap or bottled water. Be sure not to exceed the maximum water level (300 mL). Always pour water into tank before adding essential oils or water soluble home fragrance products (10 to 20 drops).
  - Use a small jug or other pouring vessel when adding water to tank. Don't fill tank from tap directly.
- Only put water and essential oils or water soluble home fragrances in tank. Other liquids may cause irreparable damage to the unit.
- If diffuser smokes, has a strange smell, or suggests any abnormal operation, stop using it immediately.

- Do not touch any part of unit with wet hands.
- Do not let mist spray onto furniture, clothes or walls directly.
- Spilt essential oils may stain surfaces. Wipe up any spills immediately.
- Unplug diffuser when not in use.
- Do not cover diffuser with cloth or any other item during operation.
- Do not allow metal objects or sharp items (like pins or keys) to come into contact with ceramic mist plate.
- Do not submerge the diffuser in water.
- Unplug the appliance during filling.

### Packaging and Recycling

The materials used for this product's packaging can be reused, recycled and disposed of through specific waste streams.

- **REUSE:** Keep packaging to safely store or transport your appliance, preventing damage.
- **RECYCLE:** Look for recycling symbols on packaging components to identify if they are recyclable. Check with your local authority to find out what materials are accepted for recycling in your area.
- **DISPOSE:** Look for symbols on packaging and dispose of materials accordingly.

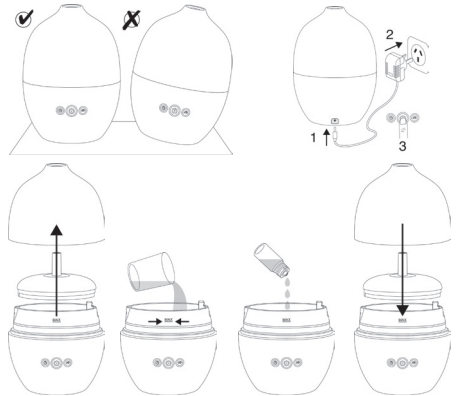
### Operating Your Ultrasonic Diffuser

#### Getting Started

Your diffuser uses ultrasonic vibrations to produce its cool, delicate mist. The ceramic disk in the base of the diffuser's tank creates rapid ripples in the liquid above, emitting tiny particles of water. These droplets then get dispersed through the mist outlet, carrying your chosen aromatic essential oil or water soluble room fragrance.

1. Use in an indoor environment that is between 10°C and 30°C. Avoid placing diffuser in direct sunlight, on wet surfaces or in dusty areas.
2. Place diffuser on a flat, stable surface, away from edges of tables or other furniture.
3. Remove outer and inner covers.
4. Fill tank with water. Do not exceed the maximum water level line (300 mL).
5. Add a few drops of essential oil or water soluble home fragrance (10-20 drops) to water tank.
6. Replace inner and outer covers.
7. Plug the connecting cable into DC jack

located on rear of the diffuser. Attach adaptor plug and plug into socket.



### Functions

#### On/Off Button:

- First press: Diffuser enters continuous mist mode.
- Press On/Off button once and long press On/Off to turn off the light of the control panel.
- Long press On/Off button again to restore the light of the control panel.
- Second press: Diffuser enters intermittent mist mode (30 seconds on, 30 seconds off intermittently until tank is empty or diffuser is turned off).
- Third press: Turns off diffuser.

#### Light Button:

- First press: Light illuminates and will automatically cycle through seven colours.
- Second press: Halts light colour cycle on your chosen colour.
- Third press: Keeps warm white light.
- Fourth press: Turns off light

When water level in tank is insufficient or empty, diffuser will stop automatically.

When this happens, fill tank with water and oil/fragrance following above instructions. Diffuser can then continue to be used.

Diffuser can also be used as an ambient light without diffusion. When diffuser is off, press light button to activate only the light function.

#### Timer Button:

- First press: Will set the diffuser to run for 1 hour and then turn off automatically after that time.

- Second press: turns 1 hour timer off so the diffuser run consistently until water runs out or turned off manually by the on/off button.

**Care**

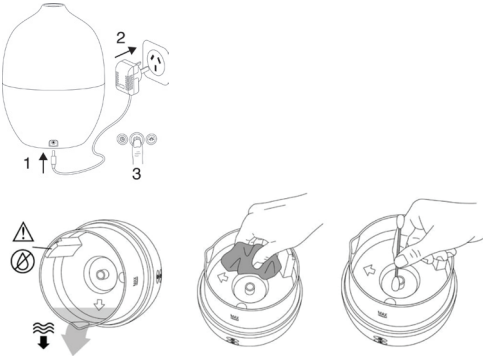
- Ensure unit is turned off after use.
- Disconnect connecting cable and remove adaptor plug from socket.
- Pour out any leftover liquid from tank using the water spout. Gently dry unit with a soft cloth. Avoid touching the ceramic disk. It is particularly important to ensure water has been removed when the unit is not going to be used again shortly.
- After every 5-6 uses, clean tank by dipping a soft cloth in a very diluted, mild dishwashing liquid and water solution. Gently wipe inside of tank. Wipe dry with a clean cloth and cotton bud.
- Never use medical diluents or alcohol to clean diffuser. These may damage the product and ceramic disk. Only use water and a neutral detergent.

**Product Specifications**

Size	13.7x18.2cm
Power input / output	AC-100-240V 50/60 HZ DC24V0.5A
Cable length adaptor	150cm
Electric consumption	12W
Mist Mode	continuous / Intermittent 30 sec on/ 30 sec off
Mist Output	30 ml/h +/-5 ml/h
Water capacity	300 mL
Misting time	Approx. 9-10 hours in continuous or 18-20 hours in intermittent mode
Ultrasonic Vibration	1.7 MHz

**Trouble Shooting**

Diffuser does not turn on	<ul style="list-style-type: none"> <li>• Check there is water in tank.</li> <li>• Ensure water level does not exceed max water level line.</li> <li>• Diffuser may be too cold. Wait until ambient temperature of room increases.</li> </ul>
Diffuser stops working suddenly	<ul style="list-style-type: none"> <li>• Ensure water level does not exceed max water level line.</li> <li>• Check DC and adaptor plug are all connected properly. Turn off and on.</li> </ul>
There is no mist, or mist looks abnormal	<ul style="list-style-type: none"> <li>• Check that water level is correct.</li> <li>• Check no dirt or grime is covering the ceramic disk.</li> <li>• Use a brush to remove any dirt/obstructions from the air inlet or mist outlet.</li> <li>• Move diffuser to another room or try again later. Different ambient humidity levels and temperatures will affect mist density.</li> </ul>
Water leakage from diffuser	<ul style="list-style-type: none"> <li>• Low temperatures or high humidity may cause mist to condense quickly into water droplets.</li> </ul>



**Storage**

Ensure all parts of diffuser are completely dry before storing. Store unplugged and in a dry place.